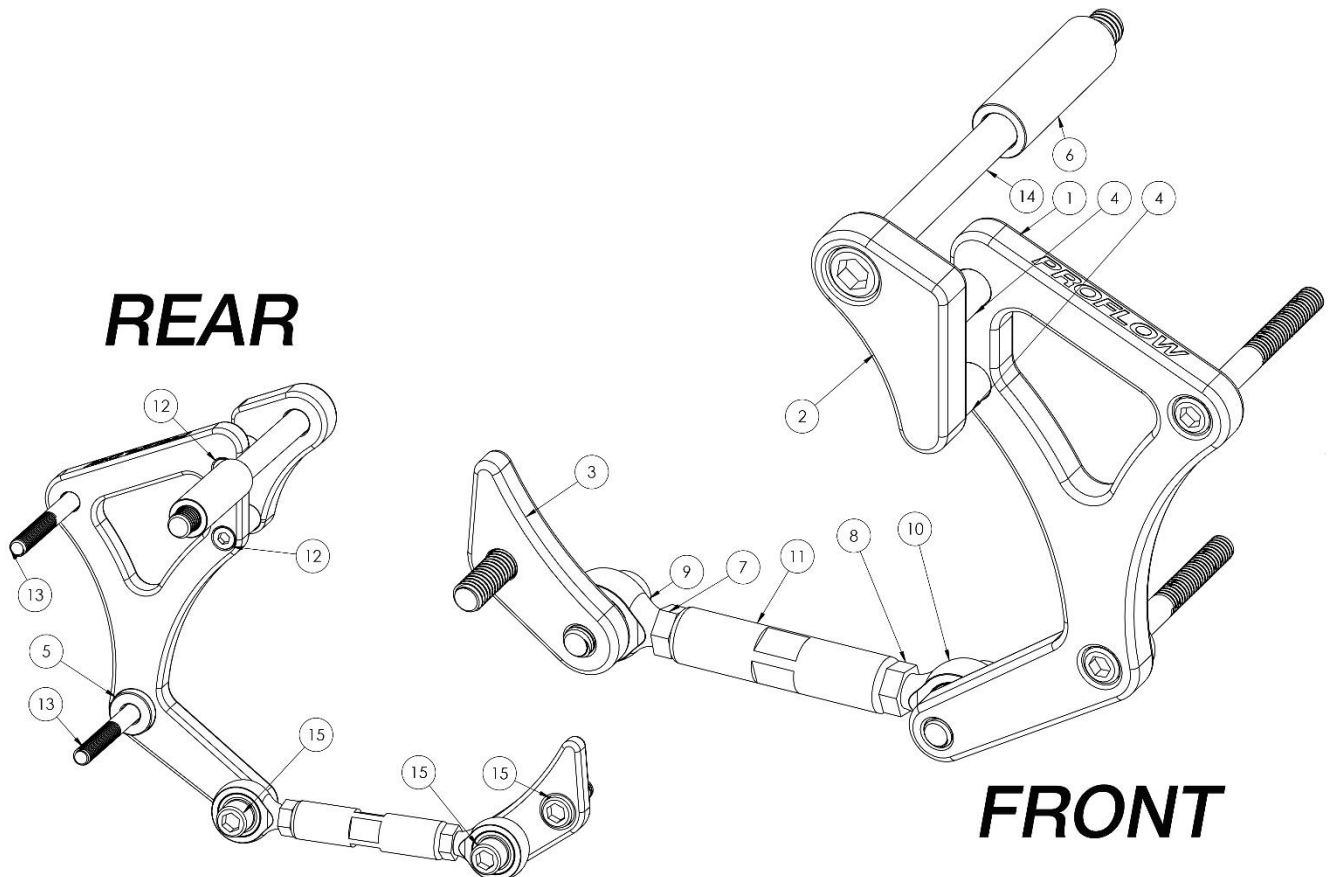


# PROFLOW

## PFEABCLEV01 Instructions

ITEM NO.		QTY.
1	PFEABCLEV01 Bracket 1	1
2	PFEABCLEV01 Bracket 2	1
3	PFEABCLEV01 Bracket 3	1
4	Spacer 1	2
5	Spacer 2	1
6	Spacer 3	1
7	PFER-JSL6 (3/8"-24) Rod End Nut	1
8	PFER-JSR6 (3/8"-24) Rod End Nut	1
9	Rod End Assembly PFER-CML6 (3/8" 3/8"-24)	1
10	Rod End Assembly PFER-CMR6 (3/8" 3/8"-24)	1
11	Rod End Shaft	1
12	M6x1mm - 35mm Cap Head Hexagon Socket Drive Screw ISO 4762	2
13	5/16"-18 - 70mm UHL Cap Head Hexagon Socket Drive Screw ANSI/ASME B18.3	2
14	7/16"-14 - 150mm UHL Cap Head Hexagon Socket Drive Screw ANSI/ASME B18.3	1
15	3/8"-16 - 1" UHL Cap Head Hexagon Socket Drive Screw ANSI/ASME B18.3	3
16	Instructions	1



## PLEASE REFER TO THE ABOVE DIAGRAM WHEN ASSEMBLING THE ALTERNATOR BRACKET

1. Assemble **PFEABCLEV01 Bracket 1** to **PFEABCLEV01 Bracket 2** using the two **M6x1mm - 35mm Cap Head Hexagon Socket Drive Screws** and two of **Spacer 1**.
2. Assemble the rod end joint, which includes items **7-11**.
3. Secure the rod end joint to **PFEABCLEV01 Bracket 1** and **PFEABCLEV01 Bracket 3** using two of the **3/8"-16 - 1" UHL Cap Head Hexagon Socket Drive Screws**.
4. Run both of the **5/16"-18 - 70mm UHL Cap Head Hexagon Socket Drive Screws** through **PFEABCLEV01 Bracket 1** and place **Spacer 2** at the rear of the lower screw.
5. Mount the bracket to the water pump loosely.
6. Run the **7/16"-14 - 150mm UHL Cap Head Hexagon Socket Drive Screw** through **PFEABCLEV01 Bracket 2**, the alternator and **Spacer 3** and mount loosely.
7. Mount the alternator to **PFEABCLEV01 Bracket 3**.
8. Tighten all fasteners.
9. Adjust the belt tension by rotating the rod end assembly with a spanner.