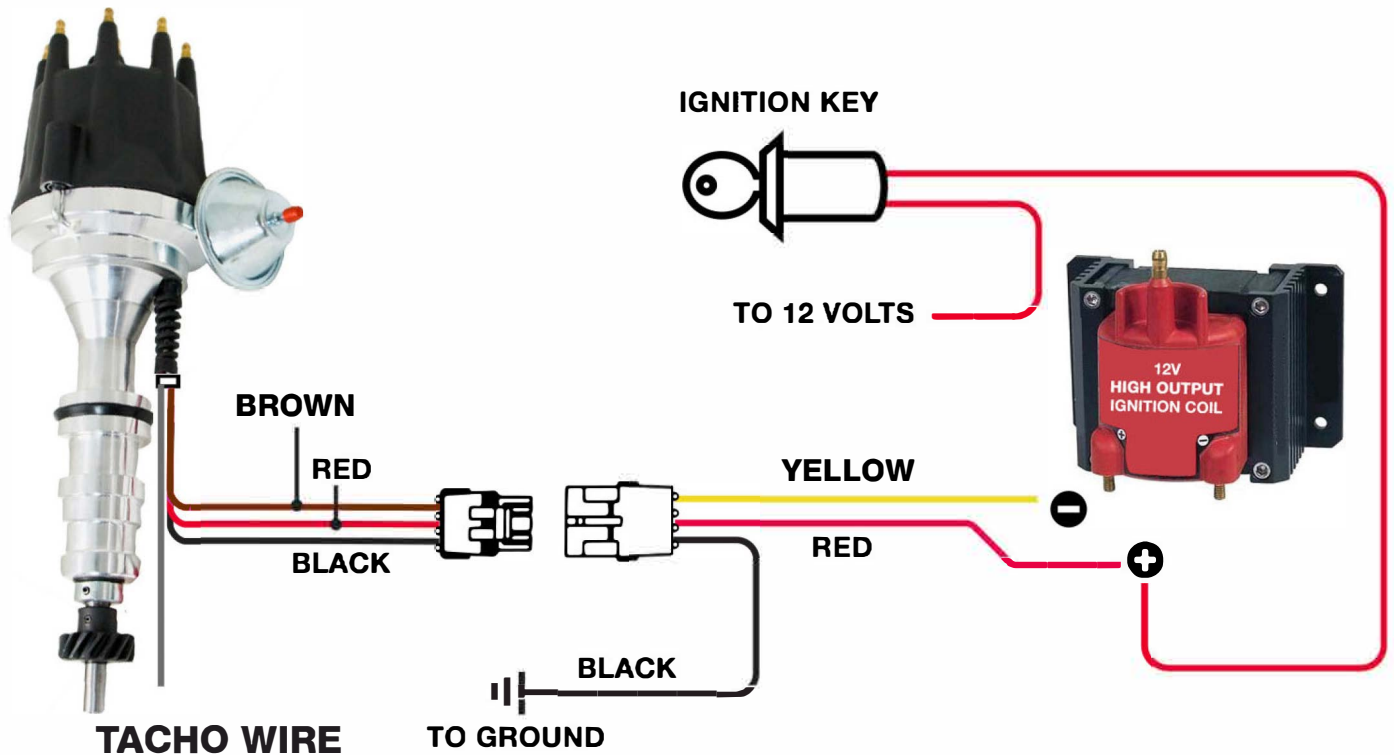


PROFLOW

Ready to Run Distributor Instructions PFEID110R TO PFEID520R



Instructions

- Before fitting distributor, make sure the gear size and shafts look the same.
- This electronic distributor is designed to work between 10.5 -14.5 volts. If you are converting from points ignition, then make sure any ballast resistor or resistor wire has been bypassed.
- Make sure the red wire connector is placed on the + connector of the coil.
- The yellow wire connector must go to the - connector of the coil.

Troubleshooting Tips

- If engine fails to start , then check the following :
- Distributor is fitted correctly and rotating in the correct direction
- Distributor body is earthed to engine block
- Electrical connectors on coil correctly and tight
- Ensure the Coil has 12 volts power under crank conditions
- Make sure coil primary resistance is between 0.5 – 16 ohms